



HDPE Electro Fusion Fittings
HDPE Butt Fusion Fittings
FHTC House Connection Fittings



Arihant Plast established in 1996 is dedicated to making high-quality plastic products. The company specialises in producing a range of items, including HDPE Pipe Fittings, HDPE Electro Fusion Fittings, FHTC House Connection Fittings, Duct Pipe Fittings, HDPE Sprinkler Pipes fittings and Tank Lids.

With over 3000 moulds designed for different pressure levels, our range of Pipe fittings is unmatched. Our dedicated Research and Development Team, operating within our Tool Room, ensures a constant flow of fresh ideas and moulds.

Behind Arihant Plast is a group of seasoned techno-commercial experts with 25 years of invaluable experience in the field. We always strive to redefine the possibilities in plastic manufacturing.

“Our commitment to society and a green world has led us to develop best pipe fittings which are environment friendly.”





HDM200, HDM315, HDM500



Brief : Electrofusion is suitable for connection PE pipes and fittings with coupling which are Used for gas and water supply.

Feature : Designed according to ISO9001 : 2008 electro-fusion welder international standard. High level MCU is used as control core, equipped with LCD display, all welding Parameters could be displayed. Light weight, easy operation. By real-time monitoring weld status, abnormal welding process could be terminated in short time. Built-in memory, can record more than 500 welding records. Welding records could be download to USB flash disk via the USB interface (optional function). Welding wiring is easy and simple to avoid wiring error. Welding parameters input modes : (1) Manually set: (2) Read in by bar code scanner.

HDM200			
Welding Range	Input Voltage	Frequency	Output Power
20mm-200mm	190V-240V	40HZ-60HZ	3KW
Output Voltage	Control Type	Time Adjust Range	
10V-48V	Constant Current/Constant Volt	1-9999 Second	
Time Deviation	Relative Humidity	Weight	
1%	80%	20kgs	

HDM315			
Welding Range	Input Voltage	Frequency	Output Power
20mm-315mm	190V-240V	40HZ-60HZ	3KW
Output Voltage	Control Type	Time Adjust Range	
10V-48V	Constant Current/Constant Volt	1-9999 Second	
Time Deviation	Relative Humidity	Weight	
1%	80%	20kgs	

HDM500			
Welding Range	Input Voltage	Frequency	Output Power
20mm-500mm	190V-240V	40HZ-60HZ	4KW
Output Voltage	Control Type	Time Adjust Range	
10V-48V	Constant Current/Constant Volt	1-9999 Second	
Time Deviation	Relative Humidity	Weight	
1%	80%	20kgs	

ELECTRO FUSION COUPLER

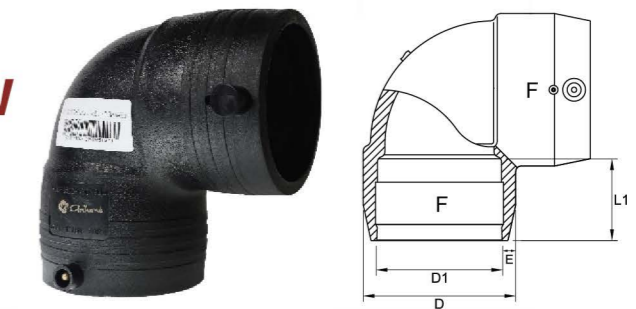
Material : PE100 BLACK, SDR : 11
Standard : ISO 8085, ISO 4427
Note : All dimension are in mm(±2mm)



FITTING CODE	FITTING SIZE	D (mm)	D1 (mm)	E (mm)	L (mm)	L1 (mm)	Fusion Width (mm)
APEFC 050	50mm	66	50	8	113	56	30
APEFC 063	63mm	79	63	8	112	56	30
APEFC 075	75mm	93	75	9	124	62	32
APEFC 090	90mm	110	90	10	126	62	40
APEFC 0110	110mm	136	110	13	148	74	40
APEFC 0125	125mm	151	125	13	158	79	40
APEFC 0140	140mm	168	140	14	168	84	40
APEFC 0160	160mm	192	160	16	173	86	50
APEFC 0200	200mm	236	200	18	192	96	53
APEFC 0225	225mm	267	225	21	218	109	55
APEFC 0250	250mm	292	250	21	220	110	63
APEFC 0280	280mm	322	280	21	215	107	70
APEFC 0315	315mm	355	315	20	234	117	66
APEFC 0355	355mm	399	355	22	267	133	70

ELECTRO FUSION 90° ELBOW

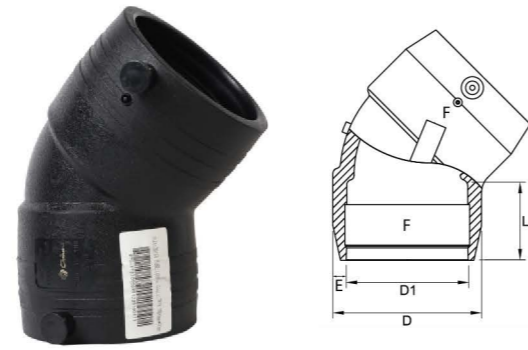
Material : PE100 BLACK, SDR : 11
Standard : ISO 8085, ISO 4427
Note : All dimension are in mm(±2mm)



FITTING CODE	FITTING SIZE	D (mm)	D1 (mm)	E (mm)	L1 (mm)	Fusion Width (mm)
APEFE 050 x 90°	50mm x 90°	66	50	8	54	25
APEFE 063 x 90°	63mm x 90°	79	63	8	54	25
APEFE 075 x 90°	75mm x 90°	91	75	8	60	30
APEFE 090 x 90°	90mm x 90°	110	90	10	68	40
APEFE 0110 x 90°	110mm x 90°	132	110	11	74	40
APEFE 0125 x 90°	125mm x 90°	151	125	13	80	40
APEFE 0140 x 90°	140mm x 90°	166	140	13	75	35
APEFE 0160 x 90°	160mm x 90°	190	160	15	95	50
APEFE 0200 x 90°	200mm x 90°	238	200	19	105	55
APEFE 0225 x 90°	225mm x 90°	267	225	21	110	65
APEFE 0250 x 90°	250mm x 90°	294	250	22	125	63
APEFE 0315 x 90°	315mm x 90°	355	315	20	135	66
APEFE 0355 x 90°	355mm x 90°	403	355	24	140	70

ELECTRO FUSION 45° ELBOW

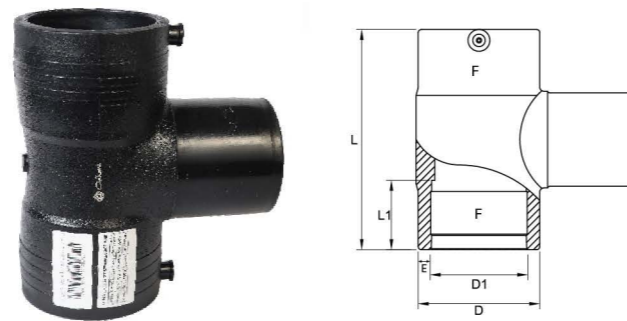
Material : PE100 BLACK, SDR : 11
 Standard : ISO 8085, ISO 4427
 Note : All dimension are in mm(± 2mm)



FITTING CODE	FITTING SIZE	D (mm)	D1 (mm)	E (mm)	L1 (mm)	Fusion Width (mm)
APEFE 050 x 45°	50mm x 45°	66	50	8	54	25
APEFE 063 x 45°	63mm x 45°	79	63	8	54	25
APEFE 075 x 45°	75mm x 45°	91	75	8	60	30
APEFE 090 x 45°	90mm x 45°	110	90	10	68	40
APEFE 0110 x 45°	110mm x 45°	132	110	11	74	40
APEFE 0125 x 45°	125mm x 45°	151	125	13	80	40
APEFE 0140 x 45°	140mm x 45°	166	140	13	75	35
APEFE 0160 x 45°	160mm x 45°	190	160	15	95	50
APEFE 0200 x 45°	200mm x 45°	238	200	19	105	55
APEFE 0225 x 45°	225mm x 45°	267	225	21	110	65
APEFE 0250 x 45°	250mm x 45°	294	250	22	125	63
APEFE 0315 x 45°	315mm x 45°	355	315	20	135	66
APEFE 0355 x 45°	355mm x 45°	403	355	24	140	70

ELECTRO FUSION EQUAL TEE

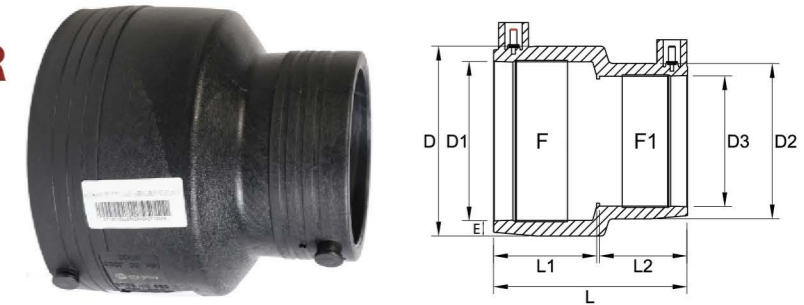
Material : PE100 BLACK, SDR : 11
 Standard : ISO 8085, ISO 4427
 Note : All dimension are in mm(± 2mm)



FITTING CODE	FITTING SIZE	D (mm)	D1 (mm)	E (mm)	L (mm)	L1 (mm)	Fusion Width (mm)
APEFET 050	50mm	66	50	8	149	54	27
APEFET 063	63mm	79	63	8	165	55	28
APEFET 075	75mm	93	75	9	184	60	29
APEFET 090	90mm	110	90	10	213	70	40
APEFET 0110	110mm	134	110	12	241	75	40
APEFET 0125	125mm	151	125	13	260	80	40
APEFET 0140	140mm	168	140	14	281	85	40
APEFET 0160	160mm	192	160	16	315	93	50
APEFET 0200	200mm	240	200	20	360	104	55
APEFET 0225	225mm	265	225	20	395	120	55
APEFET 0250	250mm	296	250	23	437	125	63
APEFET 0315	315mm	355	315	20	518	135	66
APEFET 0355	355mm	405	355	25	585	140	75

ELECTRO FUSION REDUCER

Material : PE100 BLACK, SDR : 11
 Standard : ISO 8085, ISO 4427
 Note : All dimension are in mm(± 2mm)



FITTING CODE	FITTING SIZE	D - D1 (mm)	D2 - D3 (mm)	E (mm)	L (mm)	L1 - L2 (mm)	F - F1 (mm)
APEFR 075 x 50	75 x 50mm	91-75	66-50	8-8	121	57-53	31-26
APEFR 075 x 63	75 x 63mm	91-75	79-63	8-8	122	57-54	31-27
APEFR 090 x 50	90 x 50mm	110-90	66-50	8-10	133	65-55	30-26
APEFR 090 x 63	90 x 63mm	110-90	79-63	8-10	135	65-55	26-26
APEFR 090 x 75	90 x 75mm	110-90	93-75	9-10	136	67-60	45-33
APEFR 0110 x 50	110 x 50mm	134-110	66-50	8-12	145	72-55	43-37
APEFR 0110 x 63	110 x 63mm	134-110	79-63	8-12	142	73-55	45-31
APEFR 0110 x 75	110 x 75mm	134-110	91-75	8-12	145	73-60	44-38
APEFR 0110 x 90	110 x 90mm	134-110	110-90	10-12	153	73-70	44-38
APEFR 0125 x 75	125 x 75mm	149-125	91-75	8-12	155	79-60	38-38
APEFR 0125 x 90	125 x 90mm	149-125	110-90	10-12	166	77-70	40-38
APEFR 0125 x 110	125 x 110mm	149-125	132-110	11-12	170	78-75	38-33
APEFR 0140 x 110	140 x 110mm	168-140	132-110	11-14	175	80-75	40-40
APEFR 0160 x 50	160 x 50mm	194-160	90-50	20-17	235	110-100	72-46
APEFR 0160 x 63	160 x 63mm	192-160	91-63	14-16	235	110-100	70-45
APEFR 0160 x 75	160 x 75mm	192-160	109-75	17-16	184	92-70	47-43
APEFR 0160 x 90	160 x 90mm	194-160	110-90	10-17	183	92-68	41-36
APEFR 0160 x 110	160 x 110mm	192-160	134-110	12-16	186	92-75	50-50
APEFR0160 x 125	160 x 125mm	192-160	149-125	12-16	190	90-80	50-50
APEFR 0160 x 140	160 x 140mm	192-160	164-140	12-16	194	95-90	50-50
APEFR 0200 x 50	200 x 50mm	236-200	78-50	14-18	255	113-109	81-43
APEFR 0200 x 63	200 x 63mm	236-200	79-63	8-18	265	113-109	90-50
APEFR 0200 x 75	200 x 75mm	238-200	109-75	17-19	260	117-109	83-51
APEFR 0200 x 90	200 x 90mm	236-200	110-90	10-18	260	112-109	60-50
APEFR 0200 x 110	200 x 110mm	236-200	134-110	12-18	210	100-75	60-50
APEFR 0200 x 125	200 x 125mm	236-200	149-125	12-18	215	100-80	60-50
APEFR 0200 x 140	200 x 140mm	240-200	168-140	14-20	215	95-90	60-47
APEFR 0200 x 160	200 x 160mm	238-200	192-160	16-19	222	102-93	65-52
APEFR 0225 x 110	225 x 110mm	265-225	134-110	12-20	223	110-75	45-40
APEFR 0225 x 160	225 x 160mm	265-225	190-160	15-20	232	110-95	57-55
APEFR 0225 x 200	225 x 200mm	265-225	236-200	18-20	232	110-103	60-55
APEFR 0250 x 110	250 x 110mm	294-250	134-110	12-22	250	120-75	55-45
APEFR 0250 x 160	250 x 160mm	294-250	192-160	16-22	264	120-95	65-50
APEFR 0250 x 200	250 x 200mm	294-250	236-200	18-22	264	120-105	60-50
APEFR 0250 x 225	250 x 225mm	294-250	265-225	20-22	252	120-110	60-50
APEFR 0315 x 160	315 x 160mm	363-315	192-160	16-24	268	130-95	60-55
APEFR 0315 x 200	315 x 200mm	363-315	236-200	18-24	275	130-105	60-55
APEFR 0315 x 250	315 x 250mm	363-315	292-250	21-24	290	130-125	60-55
APEFR 0355 x 200	355 x 200mm	399-355	240-200	20-22	277	140-105	65-55
APEFR 0355 x 250	355 x 250mm	399-355	294-250	22-22	297	140-125	70-70
APEFR 0355 x 315	355 x 315mm	399-355	363-315	24-22	285	140-135	70-65

Sizes are available 20mm to 630mm

BUTT FUSION TEE (Fabricated)



BUTT FUSION Y (Fabricated)



BUTT FUSION BEND (Fabricated)



BUTT FUSION REDUCER BEND



BUTT FUSION REDUCER TEE



BUTT FUSION AV-TEE



Note: All dimension are in mm(+2mm)

SIZE	COUPLER (CONNECTOR)	90° ELBOW	90° TEE
20 mm (1/2")			

SIZE	END CAP	FEMALE THREAD ADOPTER (FTA WITH BRASS/SS)	FEMALE THREAD ADOPTER (FTA)
20 mm (1/2")			

SIZE	90° ELBOW FEMALE THREAD ADOPTER (ELBOW FTA)	90° ELBOW FEMALE THREAD ADOPTER (ELBOW FTA BRASS/SS)	MALE THREAD ADOPTER (MTA)
20 mm (1/2")			

SIZE	90° ELBOW MALE THREAD ADOPTER (ELBOW MTA)	90° TEE MALE THREAD ADOPTER (TEE MTA)	90° TEE FEMALE THREAD ADOPTER (TEE FTA)
20 mm (1/2")			

PLASTIC SERVICE SADDLE "D" JOINT & REPAIR SADDLE

Sizes are available 32mm to 250mm

SERVICE SADDLE	SERVICE SADDLE (WITH BRASS/SS)	RAPAIR SADDLE (LENGTH-12")	"D" JOINT & SADDLE (WITH RUBBERSEAL & BOLT)
OUTLET AVAILABLE 1/2" 3/4" 1"			
			

DI PIPE SERVICE SADDLE

DI PIPE SERVICE SADDLE WITH SS INSERT Sizes available 80 mm, 100 mm, 150 mm & 200 mm	INTERGRATED SERVICE SADDLE [Saddle with FCV(SS304/306) & FTA ELBOW 90.] Sizes available 63 mm to 200 mm
	<div style="display: flex; justify-content: space-around;"> <div style="text-align: center;"> <p>1" & 3/4"</p>  </div> <div style="text-align: center;">  </div> </div>

BRASS FERRULE

BRASS ADJUSTABLE FERRULE	BRASS FERRULE	FLOW CONTROL VALVE FCV (SS 304/316)
 (Size : 15 mm)	 (Size : 15 mm)	 (Size : 15 mm)



G-119, Road No. 3A, RIICO Industrial Area,
Bindayaka Sirsi Road, Jaipur - 302012, Rajasthan, India

Phone : +91 (141) 2240170 | +91 9829010745
Email : info@arihantplast.in | Website : www.arihantplast.in